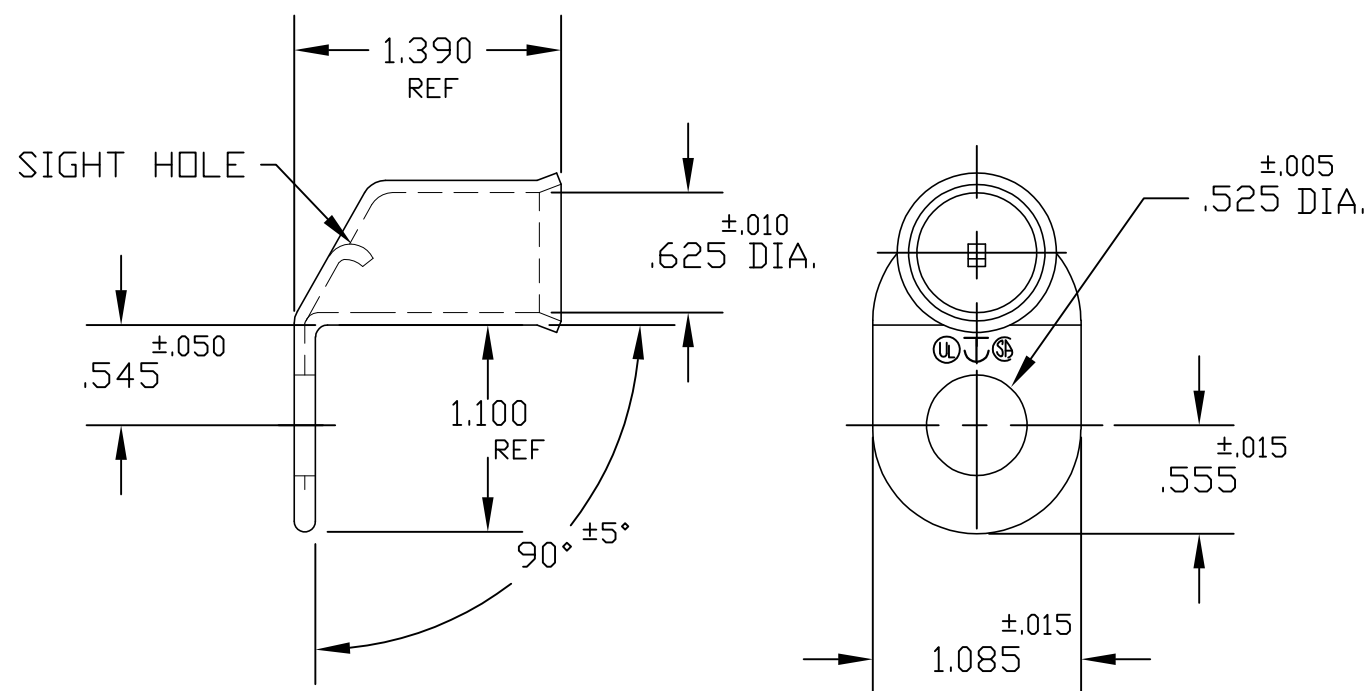


THIS DRAWING IS UNPUBLISHED. RELEASED FOR PUBLICATION
 © COPYRIGHT BY TYCO ELECTRONICS CORPORATION. ALL RIGHTS RESERVED.

LOC	DIST	REVISIONS					
G	50	P	LTR	DESCRIPTION	DATE	DWN	APVD
		C		REV PER ECR 07-014512	21JUN07	JR	DD



ACTIVE	40503-11-90	STANDARD	TIN PLATE	1526918-2
ACTIVE	40503-10-90	STANDARD	PLAIN	1526918-1
STATUS	AET P/N	PACKAGING	FINISH	PART NUMBER

THIS DRAWING IS A CONTROLLED DOCUMENT.		DWN D.A.A 11/3/00	Tyco Electronics Corporation Harrisburg, PA 17105-3608	
DIMENSIONS: INCHES		CHK H.D.F 11/3/00		
		APVD H.D.F 11/3/00	NAME 4/0C STANDARD TERMINAL W/SIGHT HOLE & 90° BEND	
MATERIAL COPPER ASTM B-152		FINISH -	PRODUCT SPEC -	APPLICATION SPEC -
		WEIGHT -	SIZE A3	CAGE CODE 00779
		DRAWING NO C-1526918		RESTRICTED TO -
		CUSTOMER DRAWING		SCALE 1:1
		SHEET 1 OF 1		REV C